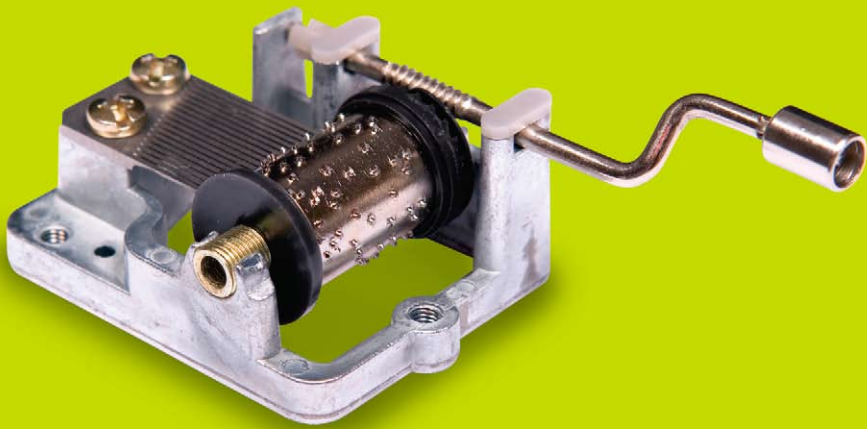




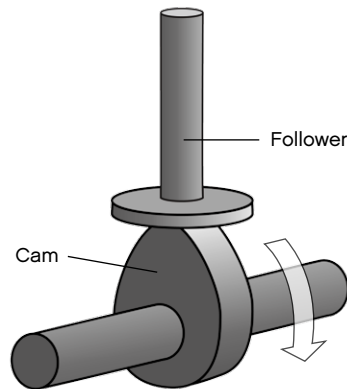
education



Cam

## Mechanisms: Cam

A cam is a shaped frame turning about an axis, like a rotating wheel.



The profile of a cam allows it to control the timing and degree of movement of a follower. A cam can also be regarded as a continuous, variable inclined plane. Cams can be circular, pear shaped, or irregular.

Cams and cam followers are very prone to wear due to friction. Cam followers often have tiny rollers attached to them to reduce this friction.

Common applications with cam mechanisms include an electric toothbrush, an engine camshaft, and clamps.

**Did you know?**  
Spring-loaded cams are used by rock climbers to tightly grip rock crevices so that they can then attach climbing ropes.

**H1**

**Build H1 book III, page 26 to 27**

Turn the handle and describe the movement of the follower.

---

---

---

---

