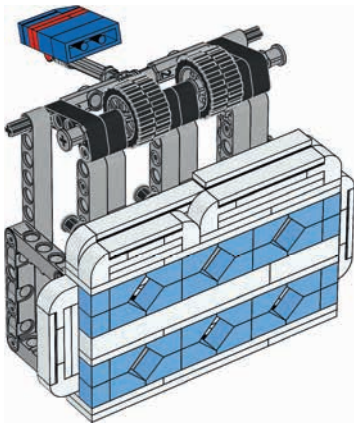
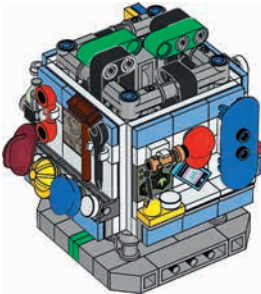


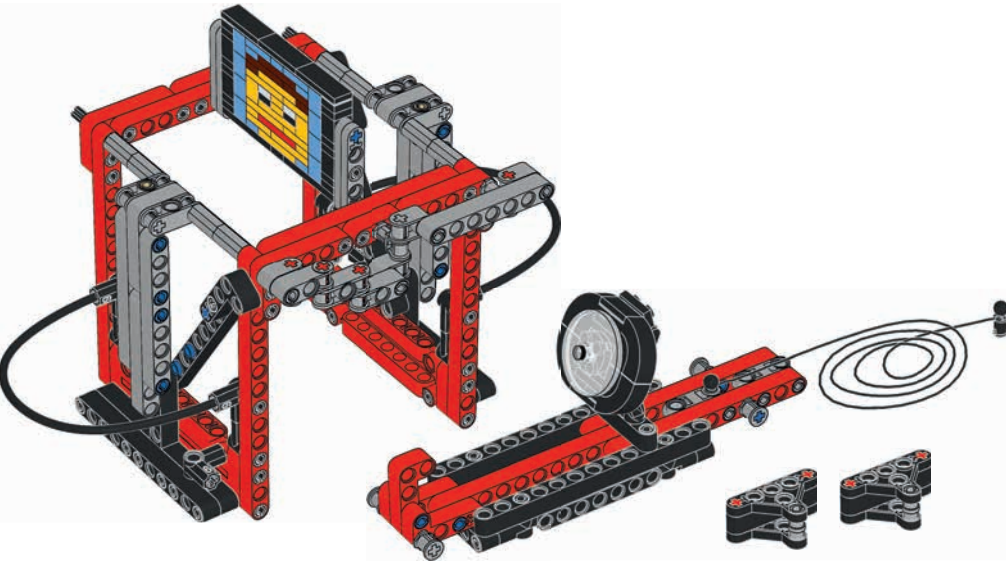
FLL Model overview



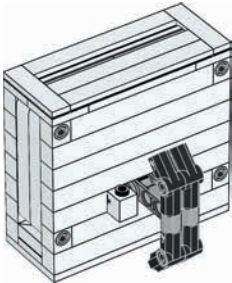
Cloud Access



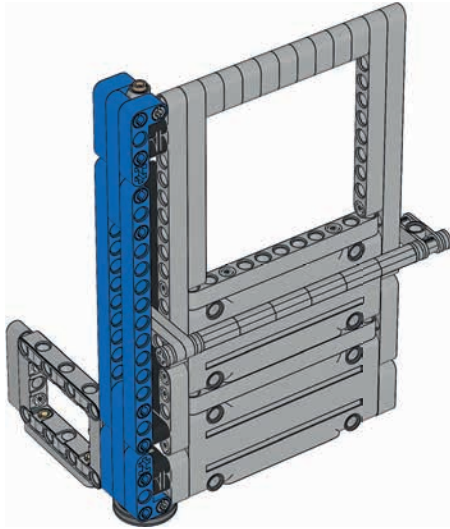
Community Tree



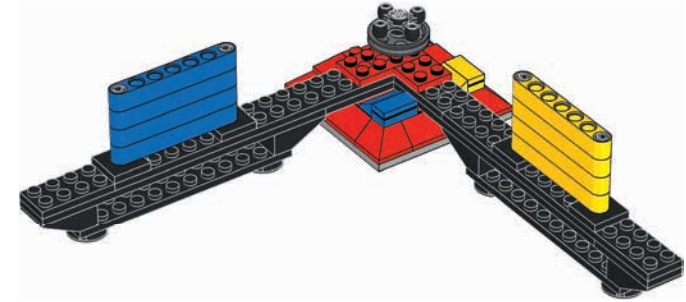
Communication



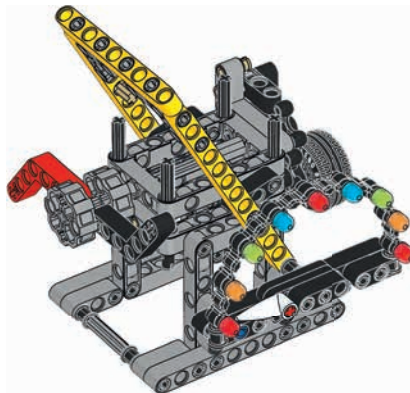
Out of Box Thinking



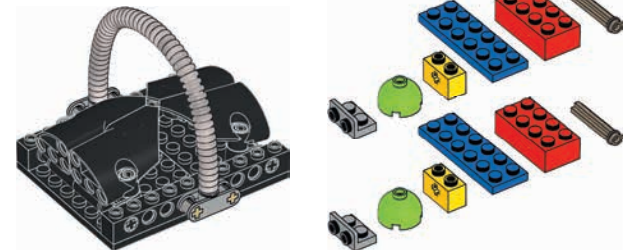
Door



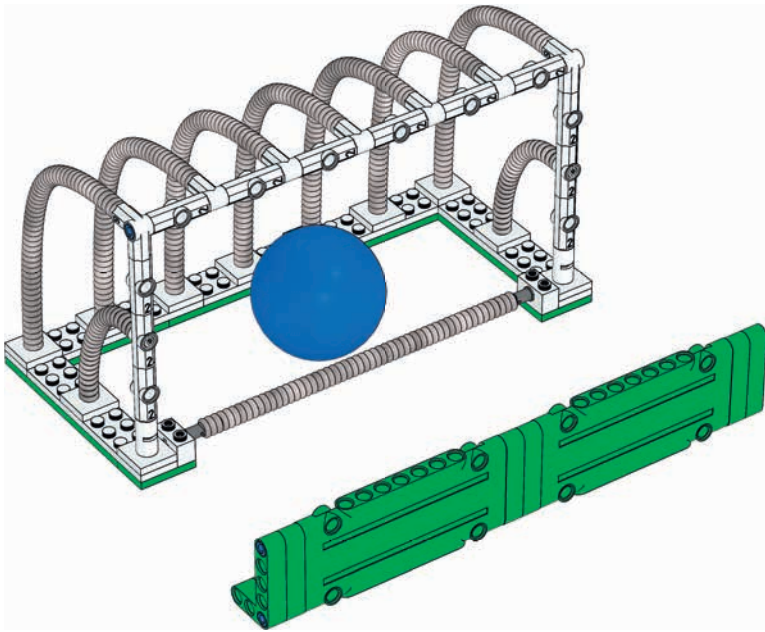
Changing Conditions



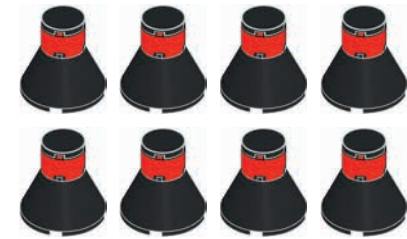
Engagement



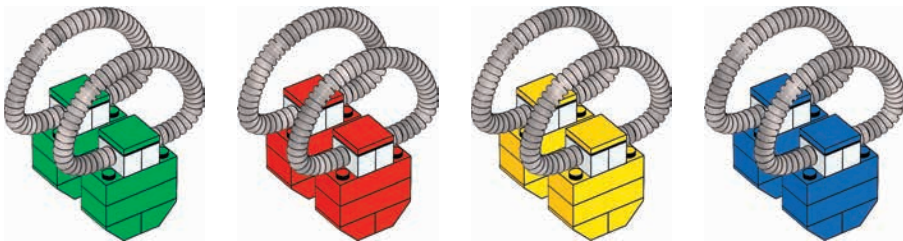
Homework



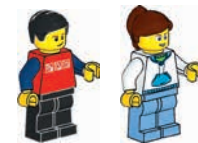
Football



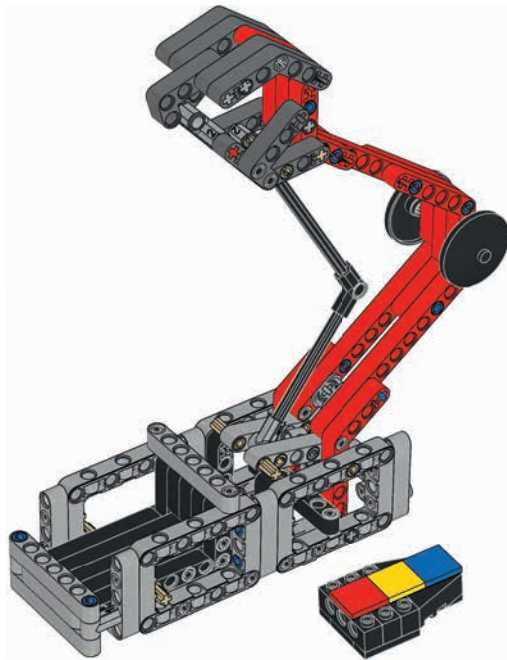
Penalties



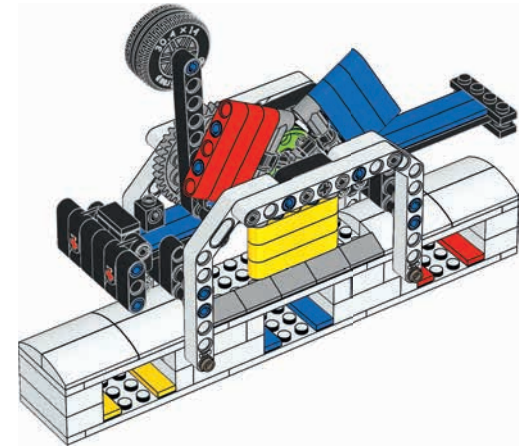
Skills & Knowledge



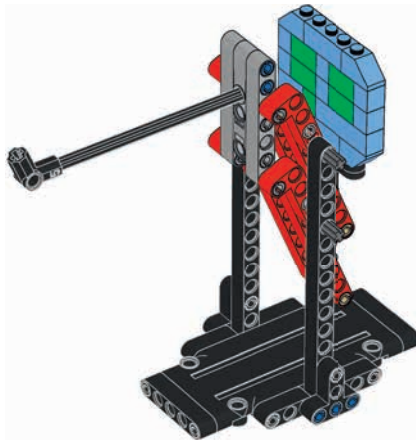
Figures



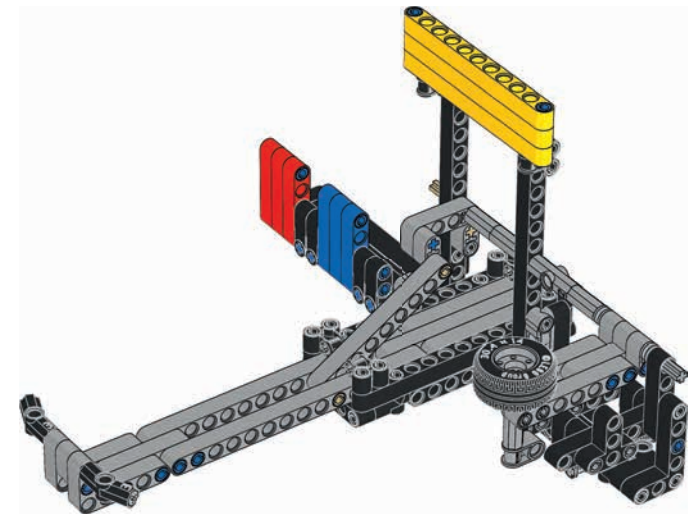
Robotics



Search Engine



Project Based Learning



Senses & Learning Styles

LEGO and the LEGO logo are trademarks of the/son des marques de commerce de/son marcas registradas de LEGO Group. ©2014 The LEGO Group.

The FIRST® logo is a registered trademark of the/Le FIRST® logo est une marquee depose de/El logotipo de FIRST® es una marca comercial registrada de U.S. Foundation For Inspiration and Recognition of Science and Technology.